

Technical sheet :

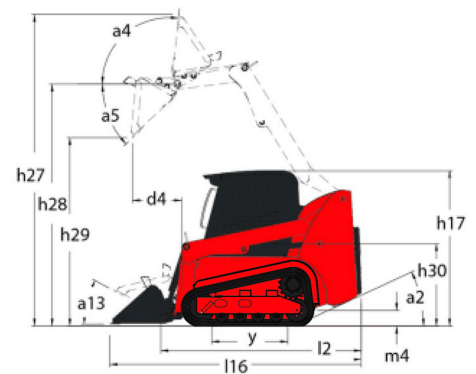
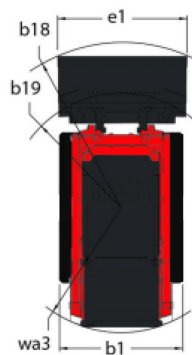
2300VT - US



 **MANITOU**
HANDLING YOUR WORLD

Capacities		Imperial
Operating Capacity At 50% Tipping Load		3285 lb
Rated Operating Capacity with Optional Counterweight		3437 lb
Operating Weight		9251 lb
Unladen weight		8415 lb
Weight and dimensions		
Operating Weight - Approximate		9251 lb
Overall Operating Height - Fully Raised	h27	159 in
Height to Hinge Pin - Fully Raised	h28	121 in
Overall Height to Top of ROPS	h17	81 in
Dump angle at full height	a5	42 °
Dump height	h29	91 in
Overall length with bucket	l16	141 in
Dump reach - Full height	r6	36 in
Rollback Angle at Full Height	a4	92 °
Seat to ground height	h30	38 in
Overall width less bucket	b1	69 in
Bucket Width	e1	70 in
Ground clearance	m4	8 in
Overall length - Less Bucket	l2	110 in
Clearance Radius - Front with Bucket	b18	88 in
Clearance Circle - Front without Bucket	b19	54 in
Clearance Circle - Rear	wa1	64 in
Performances		
Travel Speed with Two-Speed Option - Maximum		10 mi/h
Travel speed (unladen)		6 mi/h
Wheels		
Transmission type		Hydrostatic
Engine		
Engine brand		Yanmar
Engine model		4TNV98CTXNGL
Engine nom		Tier 4
Gross Power (kW)		54 kW
Net Power (kW)		53 kW
Max. torque / Engine rotation		217 ft/lbs / 1800 rpm
Number of cylinders		4
Engine cooling system		Water
Battery		12 V
Alternator - Ampere		100 A
Starter (kW)		3 kW
Hydraulics		
Standard flow - Auxiliary hydraulics		23 US gpm
Auxiliary Hydraulic Pressure		3475 PSI
High-Flow Auxiliary Hydraulics - Option		30 US gpm
High-Flow Auxiliary Hydraulics Pressure - Option		3325 PSI
Tank capacities		
Fuel tank		39 US gal
Displacement		0.87 US gal
Coolant system capacity		5 US gal

2300VT - US - Dimensional drawing



STAR EQUIPMENT, LTD.

1401 2nd Avenue, Des Moines, IA 50314
(515) 283-2215 (800) 369-2215
2950 6th St. SW, Cedar Rapids, IA 52404
(319) 365-5139 (800) 728-5139
2625 W. Airline Hwy., Waterloo, IA 50703
(319) 236-6830 (800) 791-9249
2100 E. Lincoln Way, Ames, IA 50010
(515) 233-9500 (866) 856-2312
Website: www.starequip.com



Head Office

B.P. 249 - 430 rue de l'Aubinière
44150 Ancenis Cedex - France
Tel: +33 (0)2 40 09 10 11 - Fax: +33 (0)2 40 09 10 97
www.manitou.com



This publication provides a description of the configuration versions and options for Manitou products, which may differ for equipment. The equipment presented in this brochure may be part of a series, as an option, or it may not be available, depending on the versions. Manitou reserves the right, at any time and without notice, to amend the specifications described and represented. The specifications provided do not bind the manufacturer. For more details, please contact your Manitou agent. This is not a contractually binding document. The presentation of the products is not contractually binding. List of specifications non-exhaustive. The logos as well as the visual identity of the company are owned by Manitou and cannot be used without authorisation. All rights reserved. The photos and diagrams contained in this brochure are only provided for consultation and information purposes.

MANITOU BF SA - Limited company with board of directors - Share capital: 39,668,399 euros - 857 802 508 RCS Nantes