

Technical sheet :

# 2100V - US

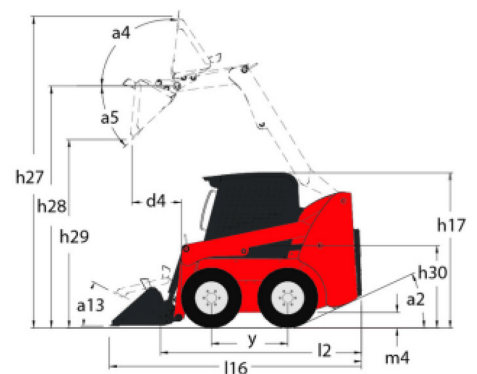
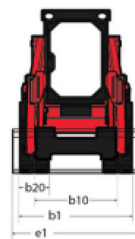
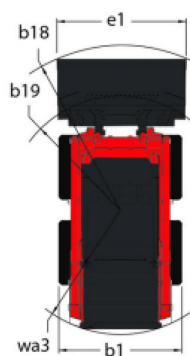
---



 **MANITOU**  
HANDLING YOUR WORLD

| Capacities   |     | Imperial              |
|--|-----|-----------------------|
| Operating Capacity At 50% Tipping Load               |     | 2099 lb               |
| Rated Operating Capacity with Optional Counterweight |     | 2251 lb               |
| Operating Weight                                     |     | 7480 lb               |
| Unladen weight                                       |     | 6713 lb               |
| Tipping capacity                                     |     | 4200 lb               |
| Weight and dimensions                                |     |                       |
| Operating Weight - Approximate                       |     | 7480 lb               |
| Overall Operating Height - Fully Raised              | h27 | 158 in                |
| Height to Hinge Pin - Fully Raised                   | h28 | 121 in                |
| Overall Height to Top of ROPS                        | h17 | 80 in                 |
| Dump angle at full height                            | a5  | 42 °                  |
| Dump height  | h29 | 90 in                 |
| Overall length with bucket                           | l16 | 139 in                |
| Dump reach - Full height                             | r6  | 34 in                 |
| Rollback Angle at Full Height                        | a4  | 92 °                  |
| Seat to ground height                                | h30 | 37 in                 |
| Overall width less bucket                            | b1  | 67 in                 |
| Ground clearance                                     | m4  | 584 ft                |
| Overall length - Less Bucket                         | l2  | 108 in                |
| Clearance Radius - Front with Bucket                 | b18 | 84 in                 |
| Clearance Circle - Rear                              | wa1 | 66 in                 |
| Performances   |     |                       |
| Travel Speed with Two-Speed Option - Maximum         |     | 12 mi/h               |
| Travel speed (unladen)                               |     | 8 mi/h                |
| Wheels   |     |                       |
| Transmission type                                    |     | Hydrostatic           |
| Engine   |     |                       |
| Engine brand   |     | Yanmar                |
| Engine model   |     | 4TNV98C-NGL           |
| Engine norm  |     | Tier 4                |
| Gross Power (kW)                                     |     | 52 kW                 |
| Net Power (kW)                                       |     | 51 kW                 |
| Max. torque / Engine rotation                        |     | 178 ft/lbs / 1625 rpm |
| Number of cylinders                                  |     | 4                     |
| Engine cooling system                                |     | Water                 |
| Battery  |     | 12 V                  |
| Alternator - Ampere                                  |     | 100 A                 |
| Starter (kW)   |     | 3 kW                  |
| Hydraulics   |     |                       |
| Standard flow - Auxiliary hydraulics                 |     | 23 US gpm             |
| Auxiliary Hydraulic Pressure                         |     | 3466 PSI              |
| High-Flow Auxiliary Hydraulics - Option              |     | 30 US gpm             |
| High-Flow Auxiliary Hydraulics Pressure - Option     |     | 2901 PSI              |
| Tank capacities                                      |     |                       |
| Fuel tank  |     | 28 US gal             |
| Displacement   |     | 0.87 US gal           |

### 2100V - US - Dimensional drawing



**STAR EQUIPMENT, LTD.**

1401 2nd Avenue, Des Moines, IA 50314  
(515) 283-2215 (800) 369-2215  
2950 6th St. SW, Cedar Rapids, IA 52404  
(319) 365-5139 (800) 728-5139  
2625 W. Airline Hwy., Waterloo, IA 50703  
(319) 236-6830 (800) 791-9249  
2100 E. Lincoln Way, Ames, IA 50010  
(515) 233-9500 (866) 856-2312  
Website: [www.starequip.com](http://www.starequip.com)



**Head Office**

B.P. 249 - 430 rue de l'Aubinière  
44150 Ancenis Cedex - France  
Tel: +33 (0)2 40 09 10 11 - Fax: +33 (0)2 40 09 10 97  
[www.manitou.com](http://www.manitou.com)



This publication provides a description of the configuration versions and options for Manitou products, which may differ for equipment. The equipment presented in this brochure may be part of a series, as an option, or it may not be available, depending on the versions. Manitou reserves the right, at any time and without notice, to amend the specifications described and represented. The specifications provided do not bind the manufacturer. For more details, please contact your Manitou agent. This is not a contractually binding document. The presentation of the products is not contractually binding. List of specifications non-exhaustive. The logos as well as the visual identity of the company are owned by Manitou and cannot be used without authorisation. All rights reserved. The photos and diagrams contained in this brochure are only provided for consultation and information purposes.

MANITOU BF SA - Limited company with board of directors - Share capital: 39,668,399 euros - 857 802 508 RCS Nantes